

JET

JWS-34KX SINGLE SPINDLE MOULDER

708502KXM...230/50/1

708502KXT ...400/50/3

PARTS LIST

Walter Meier (Fertigung) AG

Bahnstrasse 24

8603 Schwerzenbach

Switzerland

Phone +41 44 806 47 48

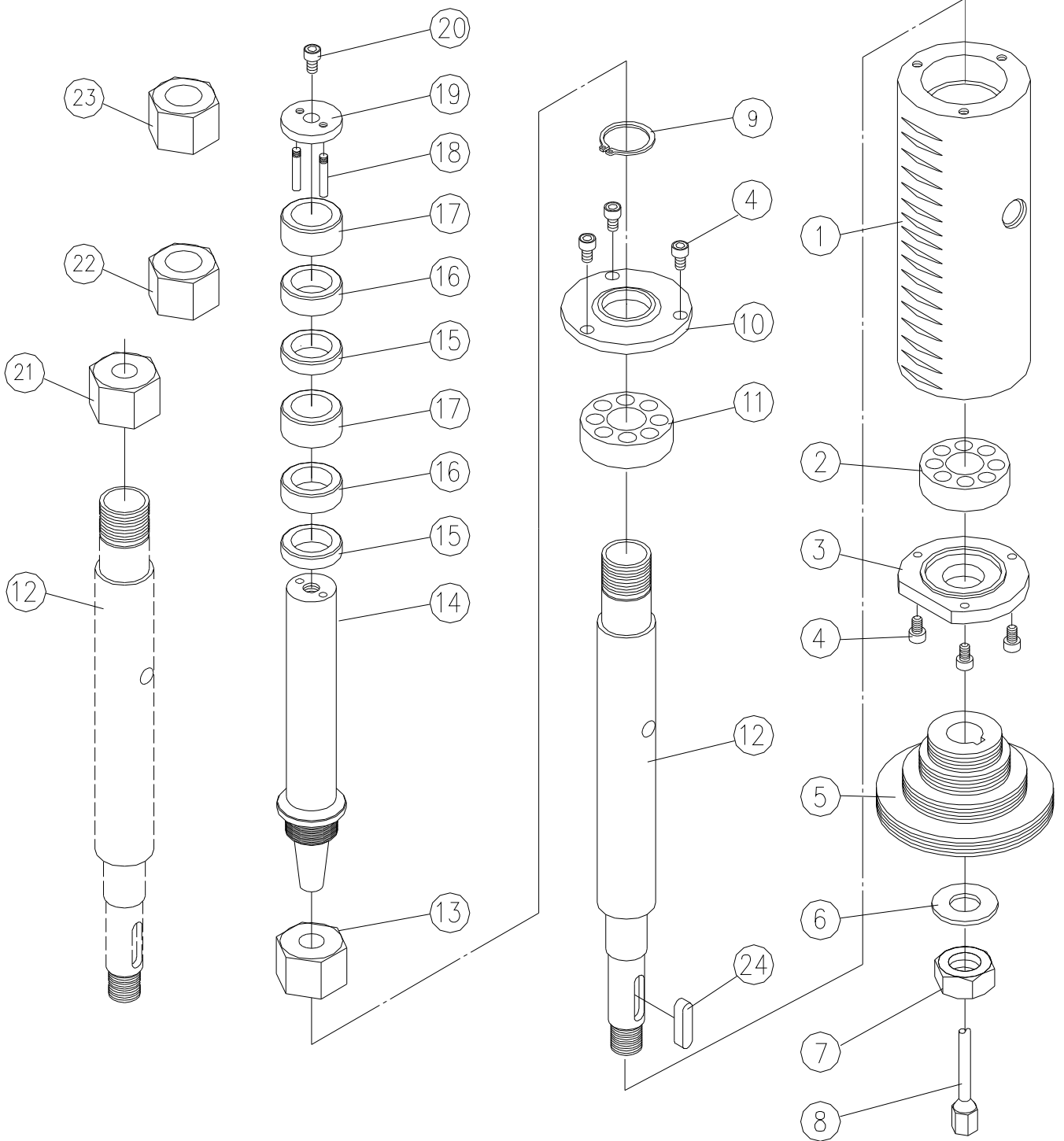
Fax +41 44 806 47 58

jetinfo.eu@waltermeier.com

www.jettools.com



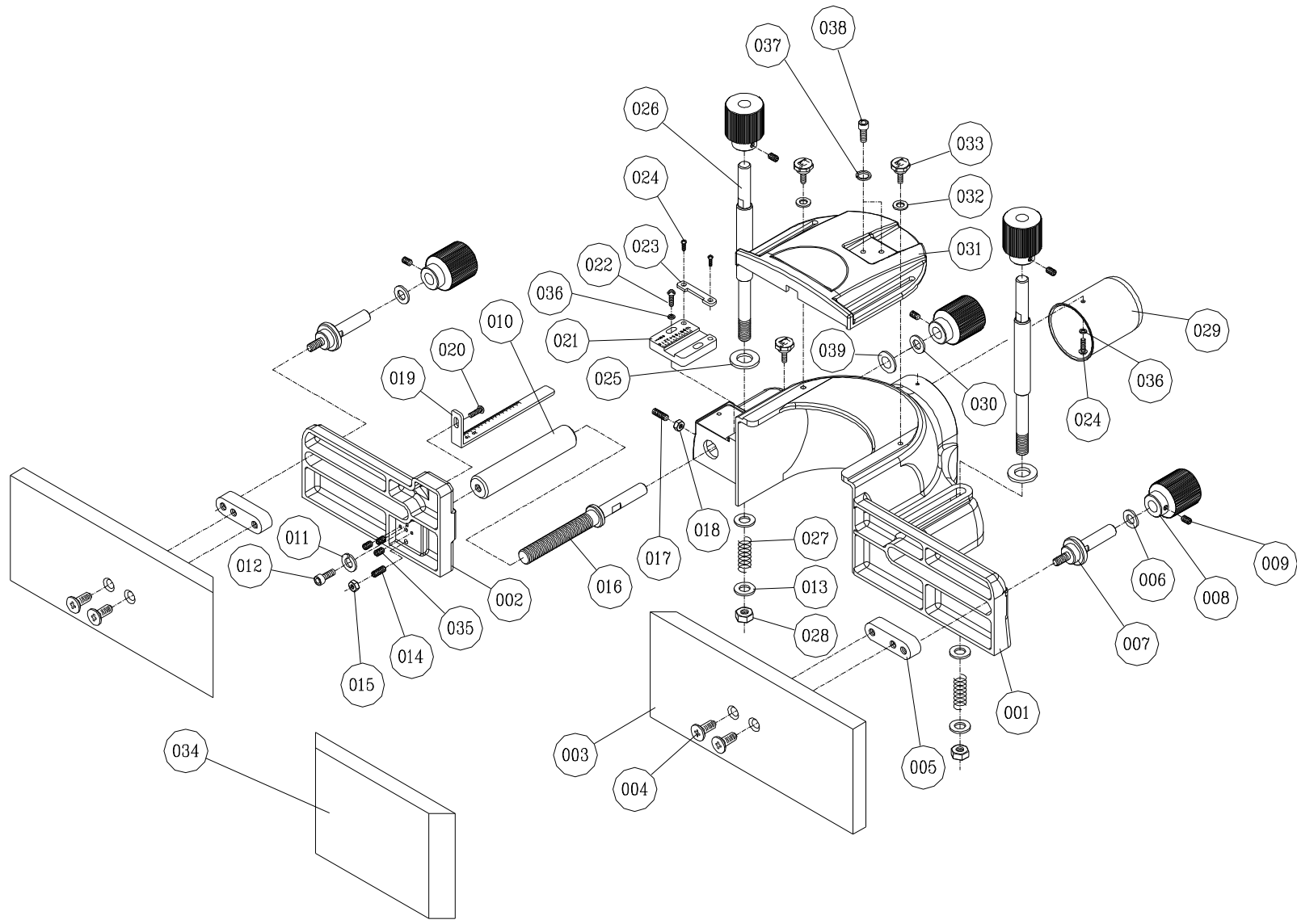
Spindle Assembly



Spindle Assembly Parts List

Index No.	Part No.	Description	Size	Qty.
1.....	JWS34-001E.....	Cartridge.....		1
2.....	BB6205-2NK.....	Ball Baring.....		1
3.....	JWS34-042.....	Lower Shaft Cover.....		1
4.....	JWS34-004E.....	Hex Socket Cap Screw.....	1/4"-20UNCx5/8.....	6
5.....	JWS34-005NE.....	Arbor Pulley.....	4 Speed.....	1
6.....	JWS34-045.....	Lock Washer.....	3/4".....	1
7.....	JWS34-046.....	Hex Nut.....	3/4" -16UNF.....	1
8.....	JWS34-008NE.....	Drawbar.....		1
9.....	JWS34-200.....	C-Ring.....	STW-30.....	1
10.....	JWS34-199.....	Top Shaft Cover.....		1
11.....	BB6006-2NK.....	Ball Baring.....		1
12.....	JWS34-012NE.....	Shaft.....		1
13.....	JWS34-013E.....	Special Arbor Nut.....		1
14.....	JWS34-014E.....	Arbor.....	30mm.....	1
15.....	JWS34-015E.....	Collar.....	30mmx8mm.....	2
16.....	JWS34-016E.....	Collar.....	30mmx10mm.....	2
17.....	JWS34-017E.....	Collar.....	30mmx20mm.....	2
18.....	JWS34-018E.....	Pin.....		2
19.....	JWS34-019E.....	Washer.....		1
20.....	JWS34-011.....	Hex Socket Cap Screw.....	3/8"-16UNCx1".....	1
21.....	JWS34-021E.....	Collet.....	12mm.....	1
22.....	JWS34-022E.....	Collet.....	8 mm.....	1
23.....	JWS34-023NE.....	Collet(England).....	1/2".....	1
24.....	JWS34-024NE.....	Key.....	7x7x30.....	1
25.....	JWS34-025.....	Collet(Optional)(not shown).....	1/4".....	1

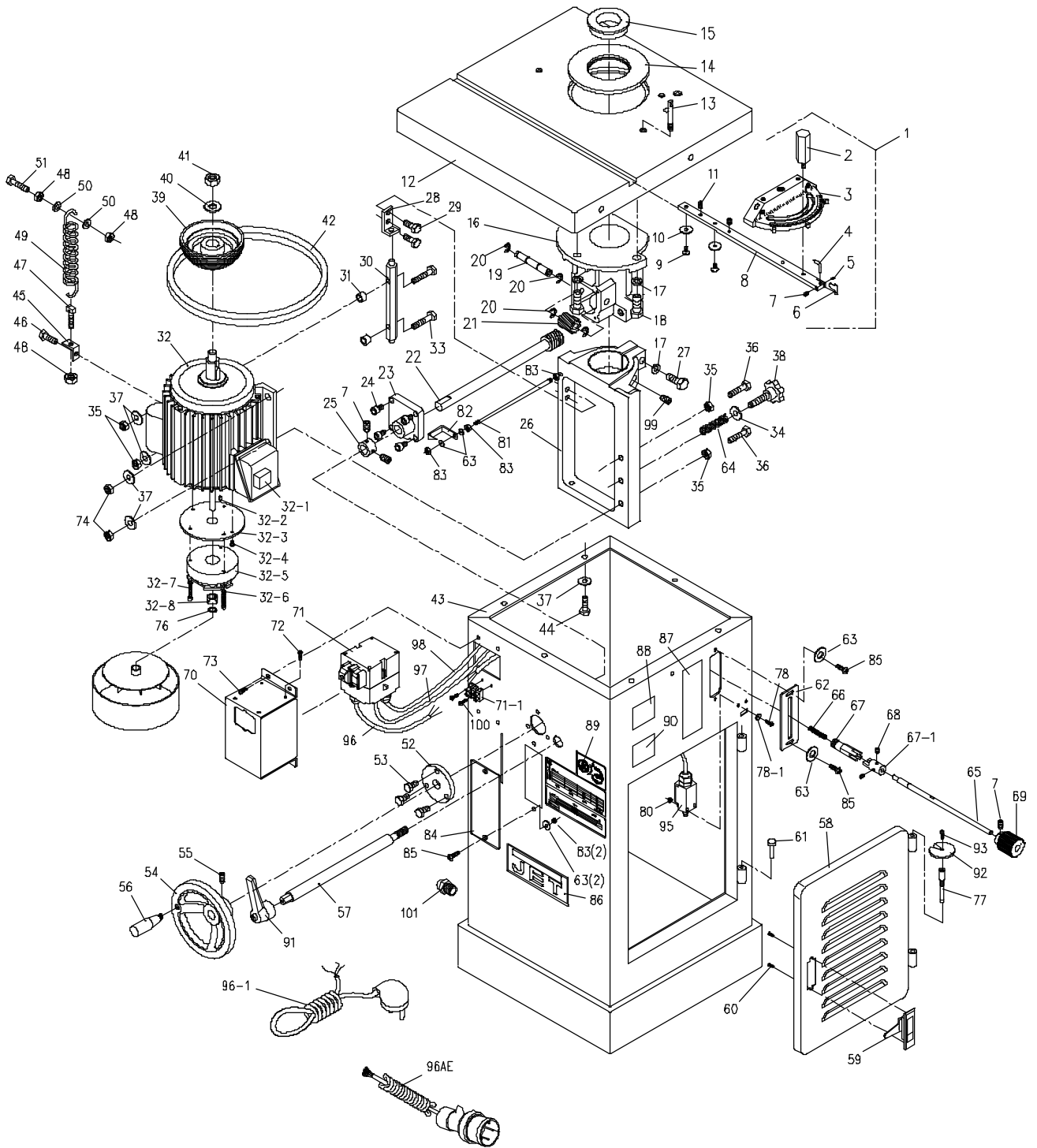
Fence Assembly



Fence Assembly Parts List

Index No.	Part No.	Description	Size	Qty.
01.....	JWS34-01E	Fence Body.....		1
02.....	JWS34-02E	Left Fence Plate.....		1
03.....	JWS34-03E	Wood Fence.....		2
04.....	JWS34-04E	CounterSunk Head Cap Screw.....	M10x1.5Px25L.....	4
05.....	JWS34-05E	Slide		2
06.....	JWS34-06E	Plastic Flat Washer		2
07.....	JWS34-07E	Leader		2
08.....	JWS34-08E	Knob		5
09.....	JWS34-09E	Set Screw	M6x1.0Px8L	5
10.....	JWS34-10E	Shaft		1
11.....	JWS34-11E	Lock Washer.....	M8.....	1
12.....	JWS34-12E	Hex Socket Cap Screw.....	M8x1.25Px16L.....	1
13.....	JWS34-13E	Flat Washer	• 13x• 25x2T.....	4
14.....	JWS34-14E	Set Screw	M6x1.0Px30L.....	1
15.....	JWS34-15E	Hex Nut.....	M6x1.0P	1
16.....	JWS34-16E	Adjustment Leader		1
17.....	JWS34-17E	Set Screw	M8x1.25Px30L.....	1
18.....	JWS34-18E	Hex Nut.....	M8x1.25P	1
19.....	JWS34-19E	Scale.....		1
20.....	JWS34-20E	Round Head Screw	M5x0.8Px10L.....	1
21.....	JWS34-21E	Scale Bracket.....		1
22.....	JWS34-22E	Round Head Screw	M5x0.8Px16L.....	2
23.....	JWS34-23E	Fixing Plate		1
24.....	JWS34-24E	Round Head Screw	M4x0.7Px8L	4
25.....	JWS34-25E	Flat Washer	• 14x• 32x2.5T.....	2
26.....	JWS34-26E	Fixing Load Assy.....		2
27.....	JWS34-27E	Spring		2
28.....	JWS34-28E	Nyon Nut.....	1/2" –12UNC	2
29.....	JWS34-29E	Dust Chute.....		1
30.....	JWS34-30E	Wave Washer		1
31.....	JWS34-31E	Safety Guard Holder.....		1
32.....	JWS34-032E	Flat Washer	• 6.5x• 19x2T.....	2
33.....	JWS34-33E	Knob		3
34.....	JWS34-34E	Wood Plate		1
35.....	JWS34-35E	Set Screw	M6x1.0P12L.....	3
36.....	JWS34-36E	Flat Washer	• 6x• 12x1T.....	4
37.....	TS-130205	Lock Washer.....	1/4"	2
38.....	TS-1503041	Hex Socket Cap Screw.....	M6 × 16L	2
39.....	JWS34-39E	Flat Washer	• 13x28x3T.....	1

Base Assembly



Base Assembly Parts List

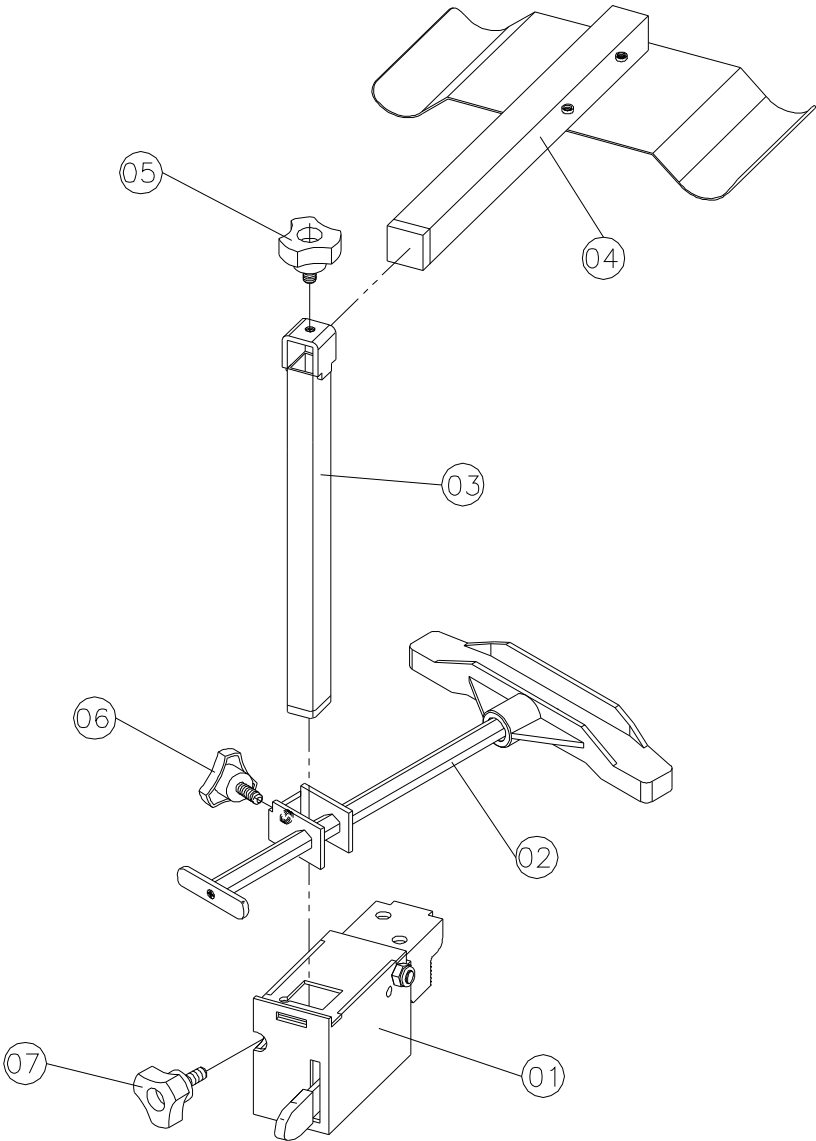
Index No.	Part No.	Description	Size	Qty.
01.....	JWS34-001MGE.....	Miter Gauge Assy(Includes#58-#68).....		1
02.....	JWS34-077.....	Handle.....		1
03.....	JWS34-078.....	Miter Gauge Body.....		1
04.....	JWS34-080.....	Pointer.....	M10x1.5Px25L.....	1
05.....	JWS34-081.....	Roll Pin.....		1
06.....	JWS34-006.....	Stop Plate.....		1
07.....	JWS34-102.....	Set Screw.....	1/4-20UNCx1/4.....	4
08.....	JWS34-008E.....	Guide Bar.....		1
09.....	JWS34-009E.....	Flat Head Screw.....	1/4-20UNCx1/4.....	2
10.....	JWS34-010E.....	Special Washer.....		2
11.....	JWS34-011E.....	Set Screw.....	5/16-20UNCx5/16.....	2
12.....	JWS34-012E.....	Working Table.....		1
13.....	JWS34-085.....	Starting Pin.....		1
14.....	JWS34-14TIE.....	Table Insert.....	175(OD),110(ID).....	1
15.....	JWS34-15TIE.....	Table Insert.....	118(OD),65(ID).....	1
16.....	JWS34-16SHE.....	Spindle Houshing.....		1
17.....	JWS34-112.....	Lock Washer.....	13.3x21x2.6.....	4
18.....	JWS34-106.....	Hex Head Bolt.....	1/2-12NCx1-1/2.....	3
19.....	JWS34-095.....	Shaft.....		1
20.....	JWS34-096.....	E-Ring.....	ETW-10.....	4
21.....	JWS34-097.....	Helical Gear.....		1
22.....	JWS34-098.....	Worm.....		1
23.....	JWS34-099.....	Worm Gear Houshing.....		1
24.....	JWS34-100.....	Hex Socket Cap Screw.....	1/4-20NCx3/4.....	4
25.....	JWS34-101.....	Toggle.....		1
26.....	JWS34-108.....	Motor Bracket.....		1
27.....	JWS34-106.....	Hex Head Bolt.....	1/2-12NCx2.....	1
28.....	JWS34-132.....	Bracket.....		1
29.....	JWS34-133.....	Hex Head Bolt.....	3/8-16NCx3/4.....	2
30.....	JWS34-138.....	Truss Rod.....		1
31.....	JWS34-139.....	Spacer Washer.....	3/8.....	2
32.....	JWS34-32NE.....	Motor.....	2HP, 1ph, 230V.....	1
32.....	JWS34-32NAE.....	Motor.....	3HP, 3ph, 400V.....	1
.....	JWS34-RCE.....	Running Capacitor(not show).....	40• f,500V.....	1
.....	JWS34-CCE.....	Capacitor Cover.....		1
.....	JWS34-FAN.....	Fan.....		1
.....	JWS34-MFC.....	Motor Fan Cover.....		1
32-1 ...	JWS34-RE.....	Rectifer.....		1
32-2 ...	JWS34-KE.....	Key.....	4 x 4 10L.....	1
32-3 ...	JWS34-PE.....	Plate.....		1
32-4 ...	TS-2246122.....	Socket Button Screw.....	M6 x 1/2.....	2
32-5 ...	JWS34-BME.....	Brake Magnet.....	2HP, 1ph, 230V.....	1
.....	JWS34-BMAE.....	Brake Magnet.....	3HP, 3ph, 400V.....	1
32-6 ...	TS-2361051.....	Lock Washer.....	M5.....	3
32-7 ...	TS-2205301.....	Hex Cap Screw.....	M5x0.8px30.....	3
32-8 ...	JWS34-BE.....	Block.....		1
33.....	JWS34-111.....	Hex Head Bolt.....	3/8-16NCx2.....	2
34.....	JWS34-134NE.....	Flat Washer.....	10x20x2.....	1
35.....	JWS34-140.....	Hex Nut.....	3/8-16NC.....	4
36.....	JWS34-110.....	Hex Head Bolt.....	3/8-16NCx2-1/2.....	2
37.....	JWS34-135.....	Flat Washer.....	3/8x23x2.....	10
38.....	JWS34-109.....	Knob.....	3/8-16NCx2-1/2.....	1

Index No.	Part No.	Description	Size	Qty.
39.....	JWS34-121E	Motor Pulley.....	4 Speed.....	1
40.....	JWS34-119	Flat Washer.....	16x33x3.....	1
41.....	JWS34-118	Hex Nut.....	5/8-18UNF.....	1
42.....	JWS34-042E	Poly V-Belt.....	230J.....	1
43.....	JWS34-043E	Base.....		1
44.....	JWS34-093	Hex Head Bolt.....	3/8-16NCx1.....	6
45.....	JWS34-130	Bracket.....		1
46.....	JWS34-129	Hex Head Bolt.....	5/16-18NCx1/2.....	1
47.....	JWS34-128	Special Screw.....	5/16-18NCx1-1/2.....	1
48.....	JWS34-126	Hex Nut.....	5/16x18NC.....	3
49.....	JWS34-127	Spring.....		1
50.....	JWS34-124	Flat Washer.....	5/16x23x2.....	2
51.....	JWS34-123	Hex Head Bolt.....	5/16-18NCx3.....	1
52.....	JWS34-178	Flange.....		1
53.....	JWS34-177	Hex Head Bolt.....	5/16-18NCx3/4.....	3
54.....	JWS34-54E	Hand Wheel.....		1
55.....	TS-0270051	Set Screw.....	5/16-18NCx1/2.....	2
56.....	JWS34-163	Handle.....	3/8-16NC.....	1
57.....	JWS34-161	Handle Clamping.....	3/4-16NF.....	1
58.....	JWS34-58	Safety Door.....		1
59.....	JWS34-59E	Handle Locking Plate.....		1
60.....	JWS34-60E	Round Head Screw.....	M3.....	2
61.....	JWS34-158	Door Bolt.....		1
62.....	JWS34-151	Plate.....		1
63.....	JWS34-63E	Flat Washer.....	1/4x13x0.8.....	6
64.....	JWS34-164NE	Spring.....		1
65.....	JWS34-143	Locking Rod.....		1
66.....	JWS34-144	Spring.....		1
67.....	JWS34-145	Connector.....		1
67-1	JWS34-145A	Lock Mandrel.....		1
68.....	TS-1522041	Set Screw.....	M5x1.2L.....	2
69.....	JWS34-69E	Knob.....		1
70.....	JWS34-70E	Control Cover Assy.....		1
71.....	JWS34-107NE	Switch Kedu, complete switchbox.....	230/50/1.....	1
.....	JWS34-107NAE	Switch Kedu , complete switchbox.....	400/50/3.....	1
71-1	JWS34-CB	Connector Bracket.....	230/50/1 Only.....	1
72.....	TS-081C062	Machine Screw.....	#10-24 x1/2.....	4
73.....	JWS34-73E	Round Head Screw.....	5/16-18NCx3/8L.....	4
74.....	JWS34-74E	Nylon Nut.....	3/8x16UNC.....	2
76.....	JWS34-76E	C-Ring.....	STW-14.....	1
77.....	JWS34-77E	Special Door Bolt.....		1
78.....	JWS34-78E	Round Head Screw.....	M4x0.7Px30L.....	2
78-1	TS-1550031	Flat Washer.....	M5.....	2
79.....	JWS34-79S	Stripe (not shown).....		1
80.....	JWS34-80E	Hex Nut.....	M4x0.7P.....	2
81.....	JWS34-81E	Pointer Leader.....		1
82.....	JWS34-82E	Pointer.....		1
83.....	TS-0561011	Hex Nut.....	1/4-20NC.....	5
84.....	JWS34-84E	See Thru Plate.....		1
85.....	JWS34-85E	Round Head Screw.....	1/4-20NCx5/8L.....	2
86.....	JWS34-184	JET Label.....		1
87.....	JWS34-185	Label.....		1
88.....	JWS34-88E	I.D Label.....		1
89.....	JWS34-89NE	Instruction Label.....	4 Speed.....	1
90.....	JWS34-90E	Motor Label.....		1
91.....	JWS34-91E	Handle.....		1

Index No.	Part No.	Description	Size	Qty.
92.....	JWS34-92E	Limit Switch Plate.....		1
93.....	JWS34-93E	Special Door Bolt		1
95.....	JWS34-95E	Limit Switch.....		1
96.....	JWS34-96E	Power Cord (Switch to connector) (Short).....	H05VVF3Gx1.0 m •	1
96-1	JWS34-96-1E	Power Cord (w/Plug to connector)	H05VVF3Gx1.0 m •	1
.....	JWS34-96AE	Power Cord (w/Plug to switch).....	H05VVF4Gx1.5 m •	1
97.....	JWS34-97E	Switch Cord (Switch to limited switch).....		1
98.....	JWS34-98E	Motor Cord (Motor to switch)	1ph, 230V.....	1
.....	JWS34-98AE	Motor Cord (Motor to switch)	3ph, 400V.....	1
99.....	TS-0270091	Socket Set Screw.....	5/16 x 1	1
100.....	TS-2244162	Button Screw.....	M4x0.7px15	2
101.....	JWS34-100E	Strain Relief	PG13.5.....	1

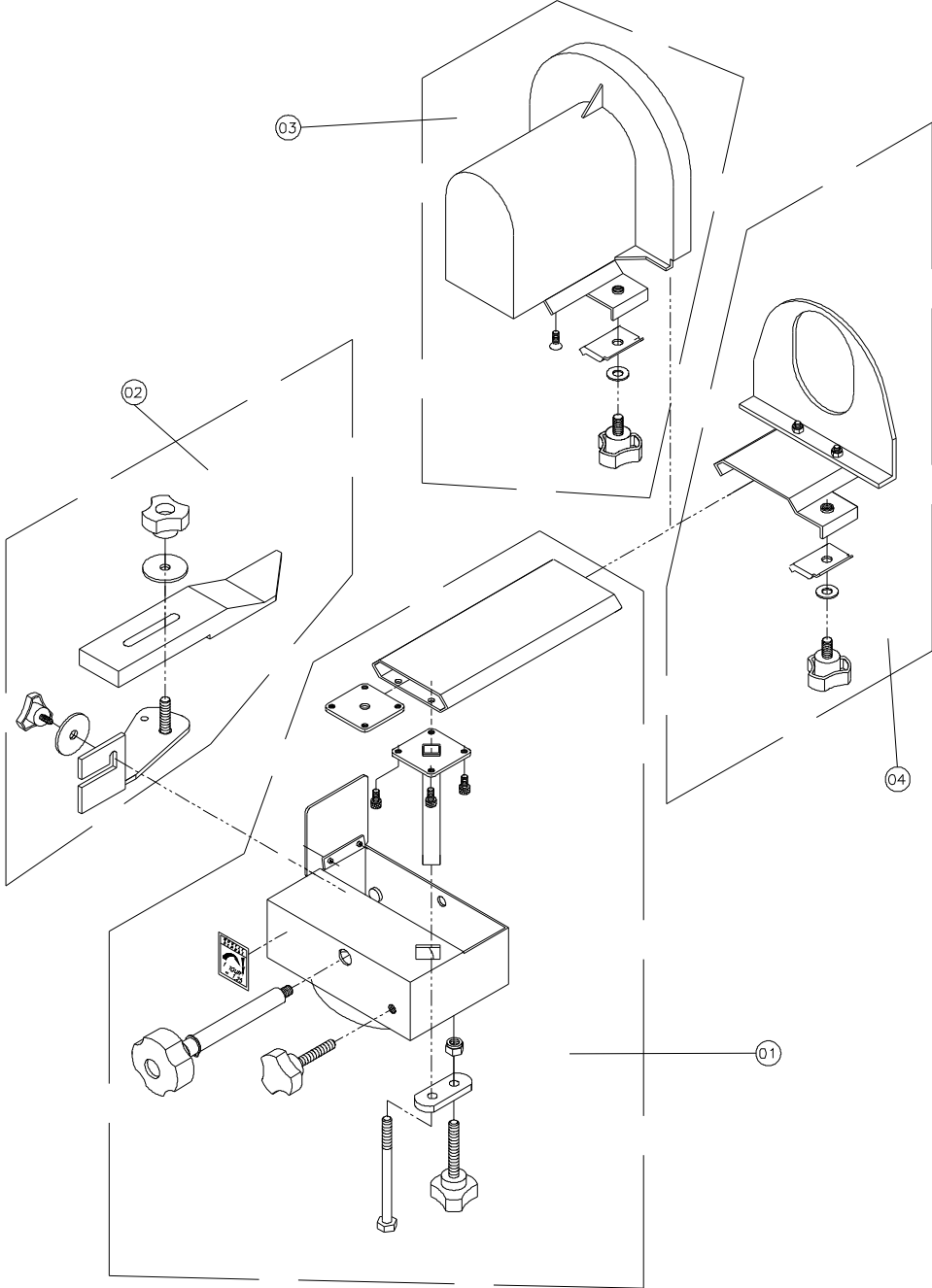
Parts List and Assembly for the JWS-34LX Fence Guard

Index No.	Part No.	Description	Size	Qty.
.....	JWS-34LXFGA.....	Fence Guard Assembly.....		1
1	JWS-34LX 201.....	Bracket		1
2	JWS-34LX 202.....	Guide Bar ass'y.....		1
3	JWS-34LX 203.....	Guide Bar ass'y.....		1
4	JWS-34LX 204.....	Fence Plate ass'y.....		1
5	JWS-34LX 205.....	Knob from F3		1
6	JWS-34LX 206.....	Knob from F2		1
7	JWS-34LX 207.....	Knob from F1		1



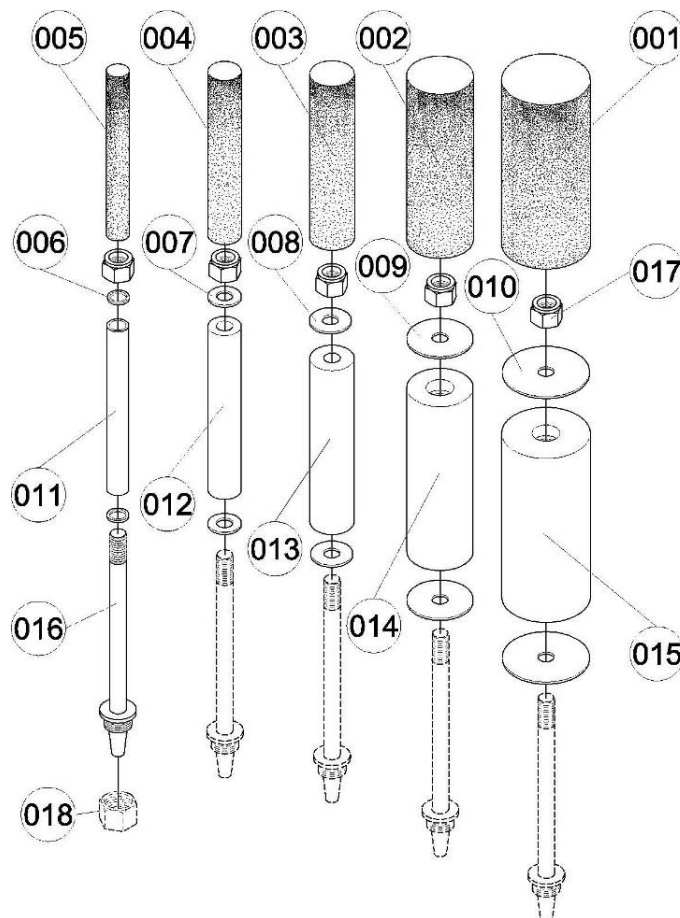
Parts List and Assembly for the JWS-34LX Curved Guard

Index No.	Part No.	Description	Size	Qty.
.....	JWS-34LXCGA.....	Curved Guard Assembly		1
1	JWS-34LX 301.....	Dust Bracket ass'y		1
2	JWS-34LX 302.....	Safety Shield Mount ass'y		1
3	JWS-34LX 303.....	See through Guard.....		1
4	JWS-34LX 304.....	Guide Plate ass'y		1



Parts for the JWS-34LX Sander Spindle (Optional)

Index No.	Part No.	Description	Size	Qty
1	10000252	Sander Spindle Assembly		1
1	JWS34LX-401	Abrasive Roll(100 grit)	4" x 230L	1
2	JWS34LX-402	Abrasive Roll(100 grit)	3" x 230L	1
3	JWS34LX-403	Abrasive Roll(100 grit)	2" x 230L	1
4	JWS34LX-404	Abrasive Roll(100 grit)	1-1/2" x 230L	1
5	JWS34LX-405	Abrasive Roll(100 grit)	1" x 230L	1
6	JWS34LX-406	Flat Washer	• 25 x • 19.1 x3t	2
7	JWS34LX-407	Flat Washer	• 37.9	2
8	JWS34LX-408	Flat Washer	• 48	2
9	JWS34LX-409	Flat Washer	• 76	2
10	JWS34LX-410	Flat Washer	• 100	2
11	JWS34LX-411	Rubber Wheel	1" x 230L	1
12	JWS34LX-412	Rubber Wheel	1-1/2" x 230L	1
13	JWS34LX-413	Rubber Wheel	2" x 230L	1
14	JWS34LX-414	Rubber Wheel	3" x 230L	1
15	JWS34LX-415	Rubber Wheel	4" x 230L	1
16	JWS34LX-416	Sander Spindle	3/4"-16UNF	1
17	JWS34LX-417	Nylon Nut	3/4"-16UNF	1
18	JWS34-013E	Special Arbor Nut		1

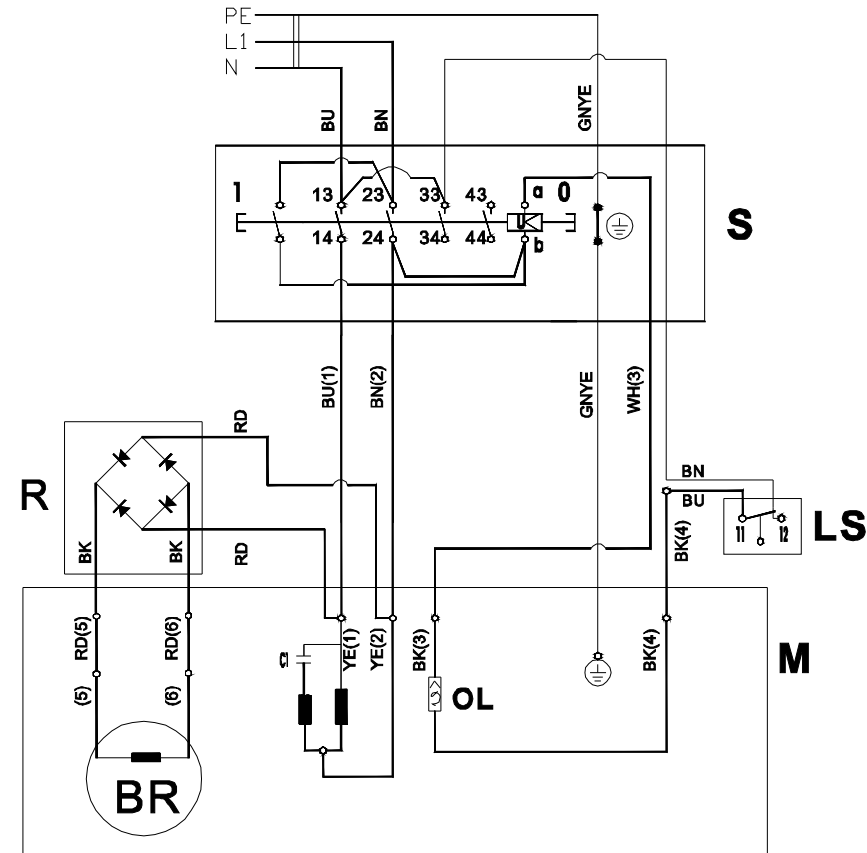


**JWS-34KX
708502KXM**

230/50/1

	colour of strands	Litzenfarben	couleur des cordons
BK	black	schwarz	noir
WH	white	weiß	blanc
BU	blue	blau	bleu
YE	yellow	gelb	jaune
RD	red	rot	rouge
BN	brown	braun	brun
GY	grey	grau	gris
GNYE	green-yellow	grün-gelb	vert-jaune
OG	orange	orange	orange
VT	violet	violett	violet

	meaning of symbol	Bedeutung der Zeichen	interprétation
M	motor	Motor	moteur
S	switch	Schalter	interrupteur
C	condenser	Kondensator	condensateur
R	rectifier	Gleichrichter	rectifier
BR	motor break	Motorbremse	frein de moteur
RS	reversing switch	Drehrichtungsschalter	commu. droite/gauche
CS	centrifugal switch	Fliehkraftschalter	déclencheur centrifuge
OL	overload cut-off	Überlastschutzschalter	déclencheur surcharge
LS	limit switch	Positionsendschalter	micro



JWS-34KX 708502KXT

400/50/3

	colour of strands	Litzenfarben	couleur des cordons
BK	black	schwarz	noir
WH	white	weiß	blanc
BU	blue	blau	bleu
YE	yellow	gelb	jaune
RD	red	rot	rouge
BN	brown	braun	brun
GY	grey	grau	gris
GNYE	green-yellow	grün-gelb	vert-jaune
OG	orange	orange	orange
VT	violet	violett	violet

	meaning of symbol	Bedeutung der Zeichen	interprétation
M	motor	Motor	moteur
S	switch	Schalter	interrupteur
C	condenser	Kondensator	condensateur
R	rectifier	Gleichrichter	rectifier
BR	motor break	Motorbremse	frein de moteur
RS	reversing switch	Drehrichtungsschalter	commu. droite/gauche
CS	centrifugal switch	Fliehkraftschalter	déclencheur centrifuge
OL	overload cut-off	Überlastschuttschalter	déclencheur surcharge
LS	limit switch	Positionsendschalter	micro

